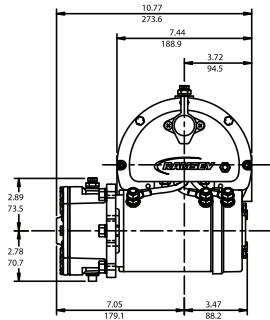
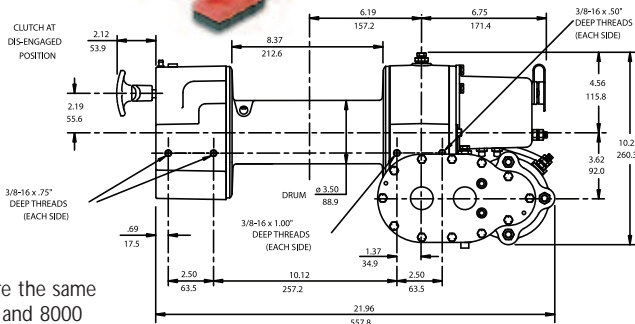
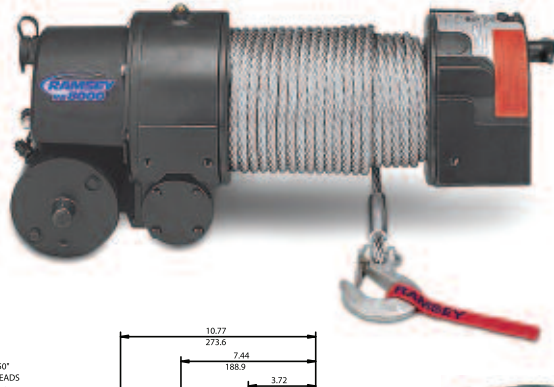
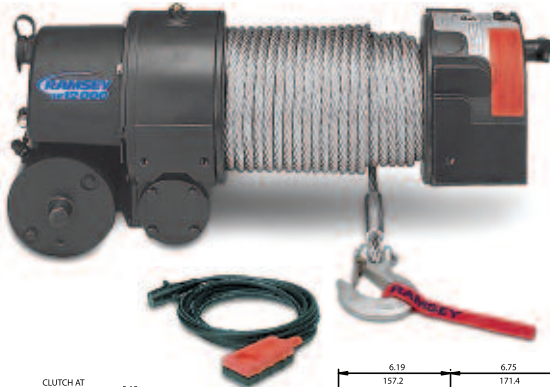


## RE 12,000

## RE 8000



Dimensions are the same for RE 12,000 and 8000

Dimensions shown are inches over millimeters

Mounting kits available for most vehicles, see our website at [ramsey.com](http://ramsey.com) or call 918-438-2760

### Product Features

- Strong worm gear provides load reversing protection
- Motor and solenoids are grounded directly to battery
- Exclusive semi-automatic RAM-LOK™ clutch disengages for free spooling
- Weather resistant solenoid assembly
- 12 ft. pendant
- 6 ft. (1.83 M) 2 gauge battery cables with connectors
- 4-way roller fairlead
- Limited lifetime warranty

### Specifications

Rated line pull . . . . . (single line) 12,000 lbs. (5,440 kgs)  
 Gear reduction ratio. 470:1 (12V) (24V)  
 Motor . . . . . Series wound 4.8 hp (12V) – 2.5 hp (24V) DC  
 Overall dimensions . . (LxWxH) 21.96" x 10.75" x 10.25"  
 (558 MM x 273 MM x 260 MM)  
 Drum size. . . . . Diameter 3.5" (89 MM) Length 8.38" (212 MM)  
 Weight . . . . . 135 lbs. (61 kgs)  
 Cable supplied . . . . . 100 ft. (30.5 M) or optional 125 ft. (38 M) of 3/8"  
 (9 MM) galvanized aircraft cable with replaceable clevis hook with safety latch

Note: 24V models have different dimensions. Consult factory.

### Line Speed & Amp Draw – First Layer

| Line Pull     | lbs. | no load | 2,000 lbs | 8,000 lbs | 10,000 lbs | 12,000 lbs |
|---------------|------|---------|-----------|-----------|------------|------------|
|               | kgs  |         | 900       | 3,620     | 4,530      | 5,440      |
| Line Speed    | fpm  | 16      | 8.6       | 4.4       | 3.8        | 3.3        |
|               | mpm  | 4.9     | 2.6       | 1.3       | 1.2        | 1.0        |
| Motor Current | amps | 12V 80  | 150       | 290       | 335        | 380        |
|               |      | 24V 30  | 50        | 135       | 160        | 190        |

### Line Pull & Cable Capacity

| Layer of Cable            |      | 1      | 2      | 3     | 4     |
|---------------------------|------|--------|--------|-------|-------|
| Rated Line Pull per Layer | lbs. | 12,000 | 10,000 | 8,600 | 7,500 |
|                           | kgs  | 5,440  | 4,530  | 3,890 | 3,390 |
| Cable Capacity per Layer  | ft.  | 20     | 40     | 70    | 100   |
|                           | m    | 6      | 12     | 21    | 30    |

- RE 12,000 R 12V . . . . . Part# 112162
  - RE 12,000 H 12V . . . . . Part# 112163
  - RE 12,000 RX 12V . . . . . Part# 112169
  - RE 12,000 R 24V . . . . . Part# 110597
  - RE 12,000 R 12V w/ 25A remote . . . . . Part# 112198
- R - 4-way roller fairlead H - hawes fairlead

### Specifications

Rated line pull . . . . . (single line) 8,000 lbs. (3,620 kgs)  
 Gear reduction ratio. 360:1 (12V) (24V)  
 Motor . . . . . Series wound 4.8 hp (12V) - 2.5 hp (24V) DC  
 Overall dimensions . . (LxWxH) 21.96" x 10.75" x 10.25"  
 (558 MM x 273 MM x 260 MM)  
 Drum size. . . . . Diameter 3.5" (89 MM) Length 8.38" (212 MM)  
 Weight . . . . . 130 lbs. (59 kgs)  
 Cable supplied . . . . . 150 ft. (30.5 M) of 5/16" (8 MM) galvanized aircraft cable with replaceable clevis hook with safety latch

Note: 24V models have different dimensions. Consult factory.

### Line Speed & Amp Draw – First Layer

| Line Pull     | lbs. | no load | 2,000 lbs | 4,000 lbs | 6,000 lbs | 8,000 lbs |
|---------------|------|---------|-----------|-----------|-----------|-----------|
|               | kgs  |         | 900       | 1,810     | 2,720     | 3,620     |
| Line Speed    | fpm  | 20      | 9.5       | 7.0       | 5.3       | 4.3       |
|               | mpm  | 6.1     | 2.9       | 2.1       | 1.6       | 1.3       |
| Motor Current | amps | 12V 90  | 170       | 235       | 302       | 370       |
|               |      | 24V 36  | 75        | 105       | 140       | 170       |

### Line Pull & Cable Capacity

| Layer of Cable            |      | 1     | 2     | 3     | 4     | 5     |
|---------------------------|------|-------|-------|-------|-------|-------|
| Rated Line Pull per Layer | lbs. | 8,000 | 6,800 | 6,000 | 5,300 | 4,800 |
|                           | kgs  | 3,620 | 3,080 | 2,710 | 2,400 | 2,170 |
| Cable Capacity per Layer  | ft.  | 20    | 50    | 80    | 120   | 150   |
|                           | m    | 6     | 15    | 24    | 36    | 45    |

- RE 8000 R 12V . . . . . Part# 112158
  - RE 8000 R 24V . . . . . Part# 110414
  - RE 8000 H 12V . . . . . Part# 112159
- R - 4-way roller fairlead H - hawes fairlead